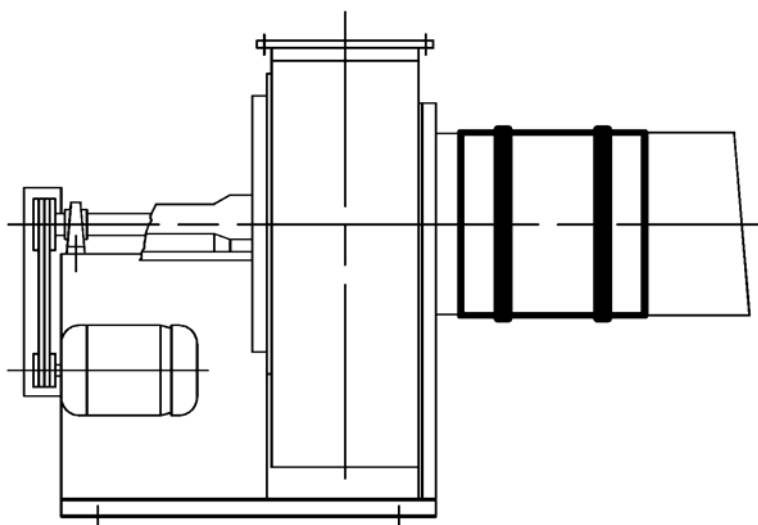
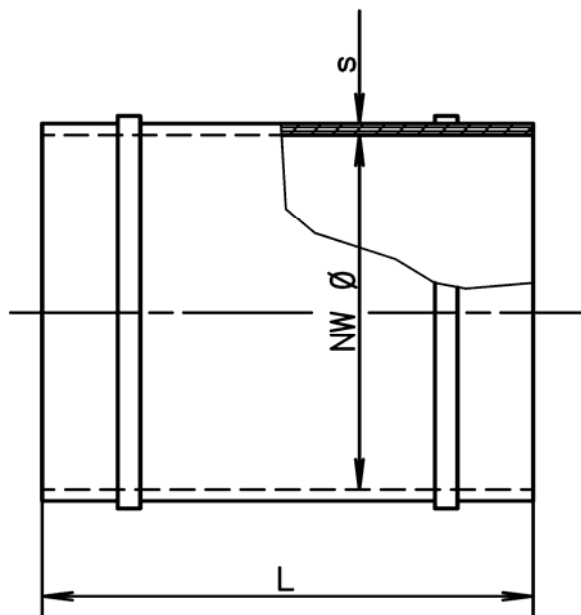
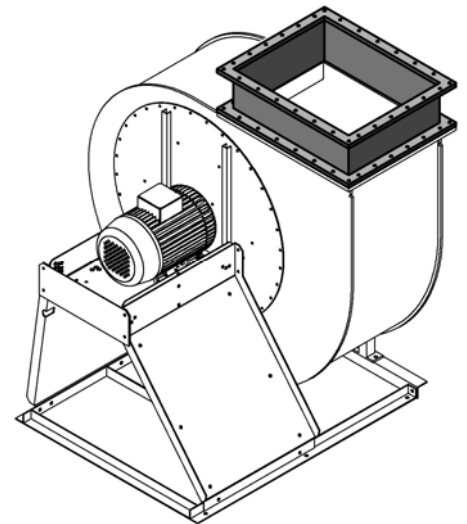
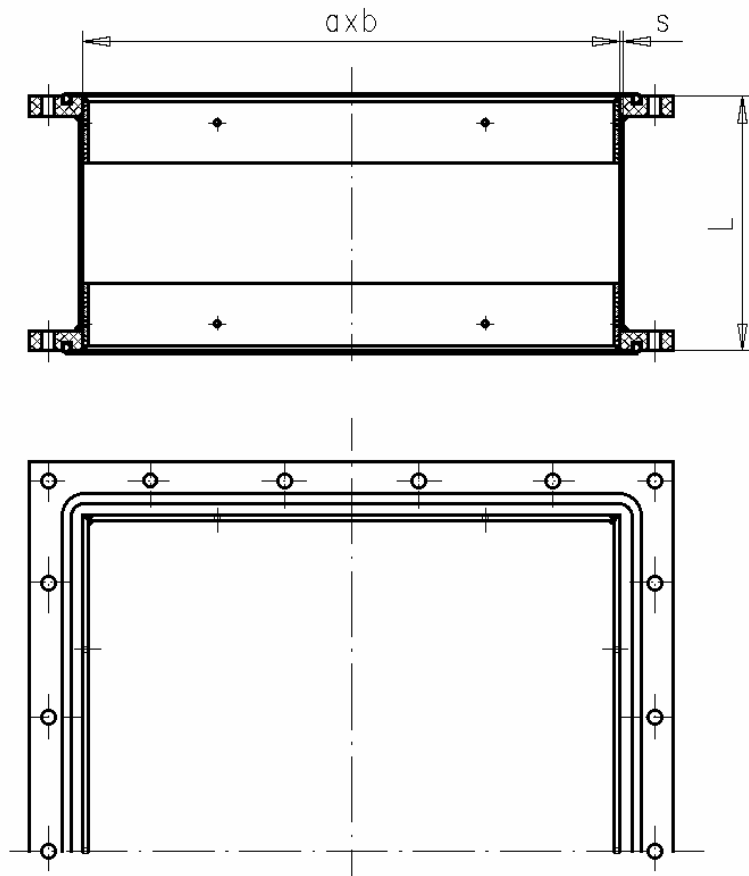


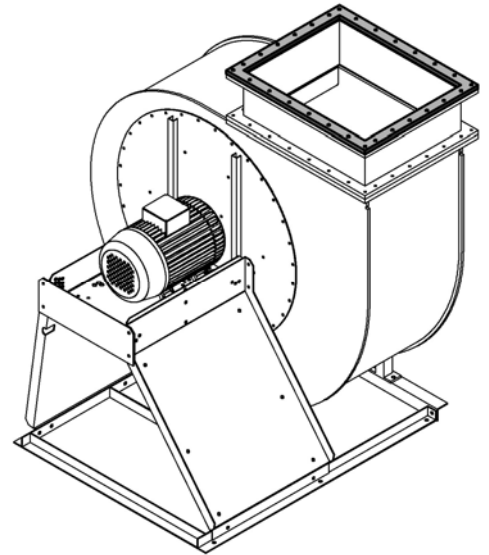
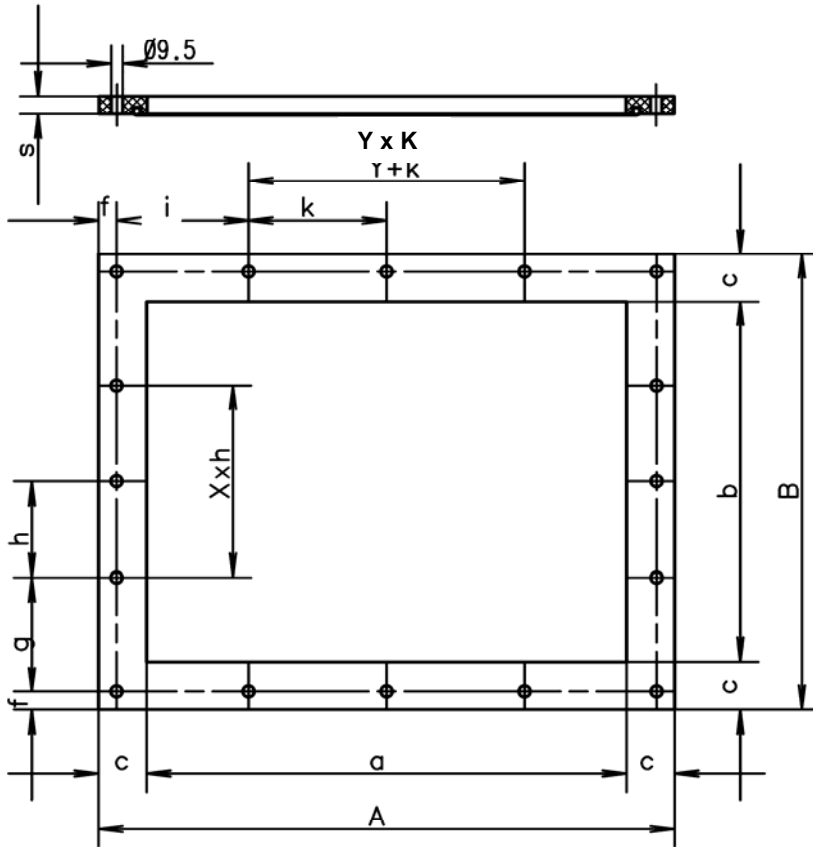
Sleeve round with fixing bands stainless (PVC)


| NW Ø | L | s |
|----------|-----|---|
| 450-500 | 160 | 3 |
| 560-710 | 200 | 3 |
| 800-1250 | 250 | 3 |

Sleeve rectangular with flanges on both sides (PVC)


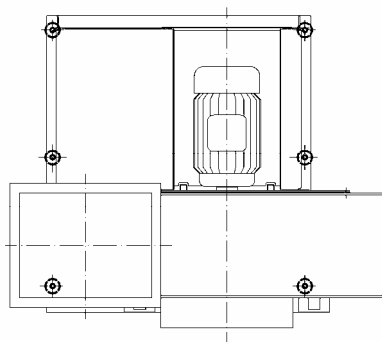
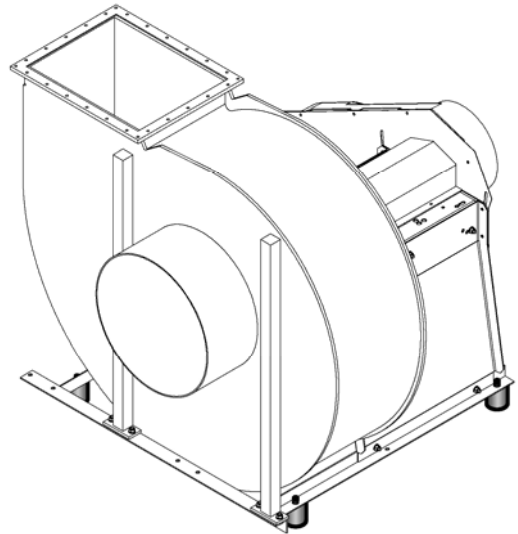
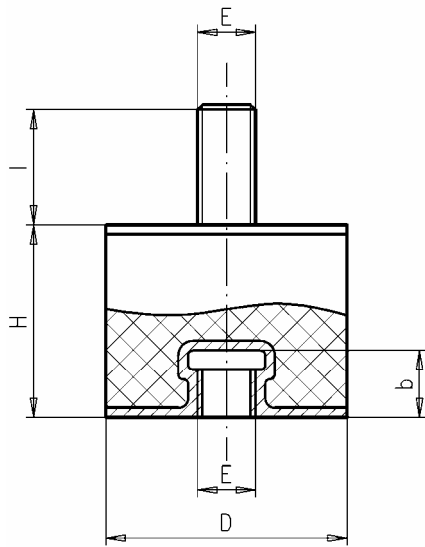
| Fan Type CMV | Measurements | | |
|-----------------|--------------|-----|---|
| | a x b | L | S |
| 450 | 450 x 355 | 190 | 3 |
| 500 | 500 x 400 | 190 | 3 |
| 560 | 560 x 450 | 240 | 3 |
| 630 | 630 x 500 | 240 | 3 |
| 710 | 710 x 560 | 240 | 3 |
| 800 | 800 x 630 | 290 | 3 |
| 900 | 900 x 710 | 290 | 3 |
| 1000 | 1000 x 800 | 290 | 3 |
| 1120 | 1120 x 900 | 290 | 3 |
| 1250 | 1250 x 1000 | 290 | 3 |

Flange rectangular PP / PPs / PPs-el / PVC / PE / PVDF

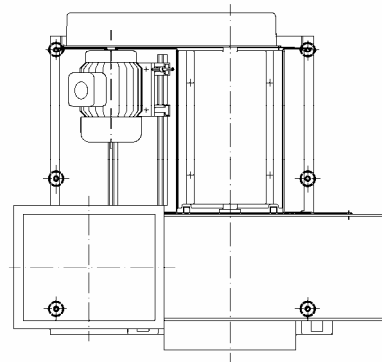


| Fan Type CMV | Measurements | | | | | | | | | | | |
|--------------|--------------|------|------|------|----|----|----|------|-------|------|--------|----|
| | A | B | a | b | c | s | f | g | X x h | i | Y x k | n |
| 450 | 530 | 435 | 450 | 355 | 40 | 15 | 14 | 53,5 | 3x100 | 51 | 4x100 | 22 |
| 500 | 580 | 480 | 500 | 400 | 40 | 15 | 14 | 76 | 3x100 | 76 | 4x100 | 22 |
| 560 | 640 | 530 | 560 | 450 | 40 | 15 | 14 | 51 | 4x100 | 56 | 5x100 | 26 |
| 630 | 730 | 600 | 630 | 500 | 50 | 20 | 20 | 80 | 4x100 | 105 | 4x120 | 24 |
| 710 | 810 | 660 | 710 | 560 | 50 | 20 | 20 | 60 | 5x100 | 97,5 | 5x115 | 28 |
| 800 | 900 | 730 | 800 | 630 | 50 | 20 | 20 | 95 | 5x100 | 80 | 7x100 | 32 |
| 900 | 1000 | 810 | 900 | 710 | 50 | 20 | 20 | 85 | 6x100 | 80 | 8x100 | 36 |
| 1000 | 1100 | 900 | 1000 | 800 | 50 | 20 | 20 | 80 | 7x100 | 80 | 9x100 | 40 |
| 1120 | 1220 | 1000 | 1120 | 900 | 50 | 20 | 20 | 80 | 8x100 | 90 | 10x100 | 44 |
| 1250 | 1350 | 1100 | 1250 | 1000 | 50 | 20 | 20 | 80 | 9x100 | 105 | 11x100 | 48 |

Vibration absorbers



Direct drive

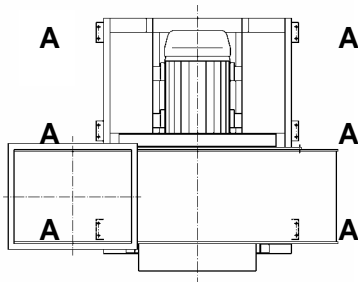
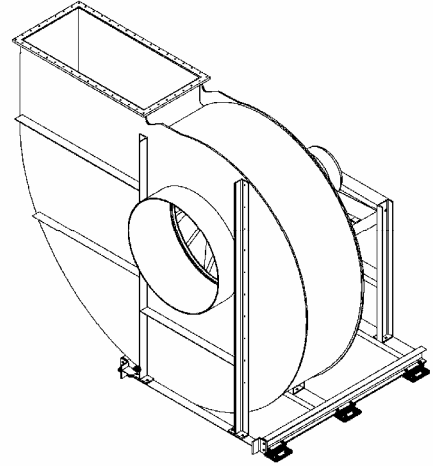
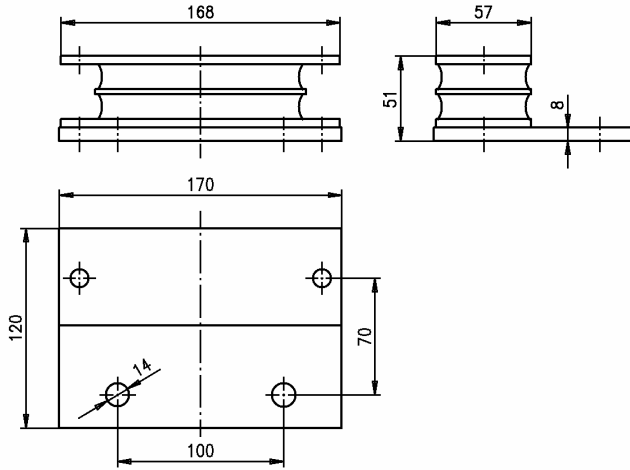


V-belt drive

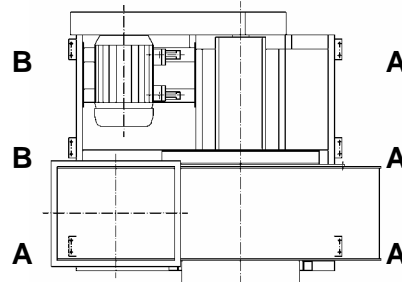
| Vibration-absorbers Type | Measurements | | | | |
|--------------------------|--------------|----|-----|----|----|
| | D | H | E | I | b |
| V 8/40 | 40 | 40 | M8 | 23 | 7 |
| V 8/50 | 50 | 40 | M10 | 25 | 10 |

| Fan Type CMV | | Type | Number of elements |
|--------------|----------|--------|--------------------|
| Direct | V-belt | | |
| 450-560 | 450, 500 | V 8/40 | 4 |
| 630 | 560, 630 | V 8/50 | 4 |
| 710, 800 | 710, 800 | V 8/50 | 6 |

Vibration absorbers



Direct drive

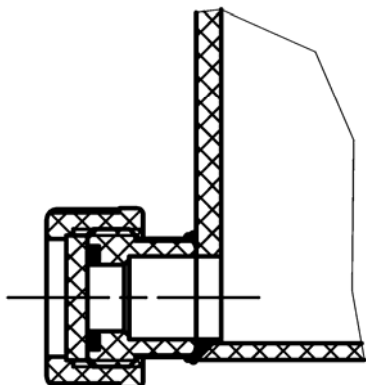


V-belt drive

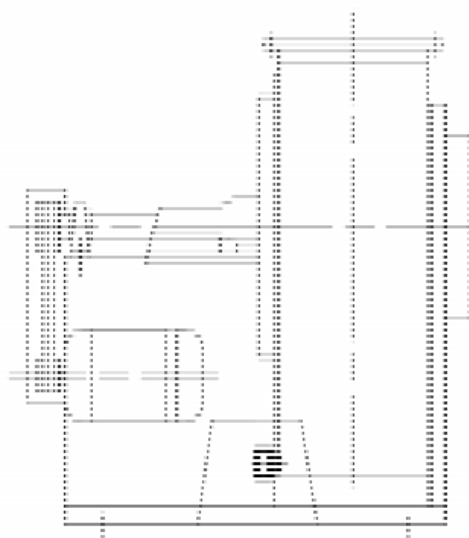
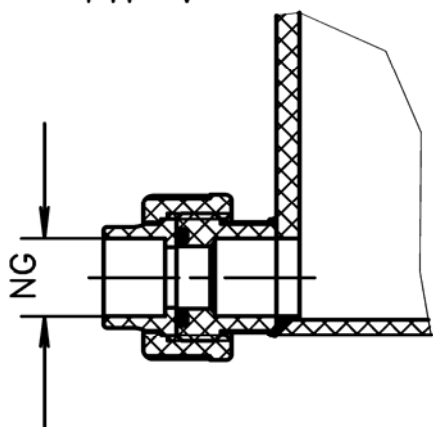
| Fan Type CMV | Motor-weight kg | Number of elements | | | | | |
|--------------|-----------------|--------------------|------------------|------------------|------------------|------------------|------------------|
| | | Direct drive | | V-belt drive | | | |
| | | Position A 45°Sh | Position A 45°Sh | Position B 45°Sh | Position B 55°Sh | Position B 65°Sh | Position B 70°Sh |
| 900 | < 300 | 6 | 4 | 2 | | | |
| | 300-450 | 6 | 4 | | 2 | | |
| | 450-550 | 6 | 4 | | | 2 | |
| 1000 | < 300 | 6 | 4 | 2 | | | |
| | 300-550 | 6 | 4 | | 2 | | |
| | 550-800 | 6 | 4 | | | 2 | |
| 1120 | < 300 | 6 | 4 | 2 | | | |
| | 300-550 | 6 | 4 | | 2 | | |
| | 550-800 | 6 | 4 | | | 2 | |
| 1250 | < 300 | 6 | 4 | 2 | | | |
| | 330-550 | 6 | 4 | | 2 | | |
| | 550-800 | 6 | 4 | | | 2 | |
| | 800-1000 | 6 | 4 | | | | 2 |

Drain

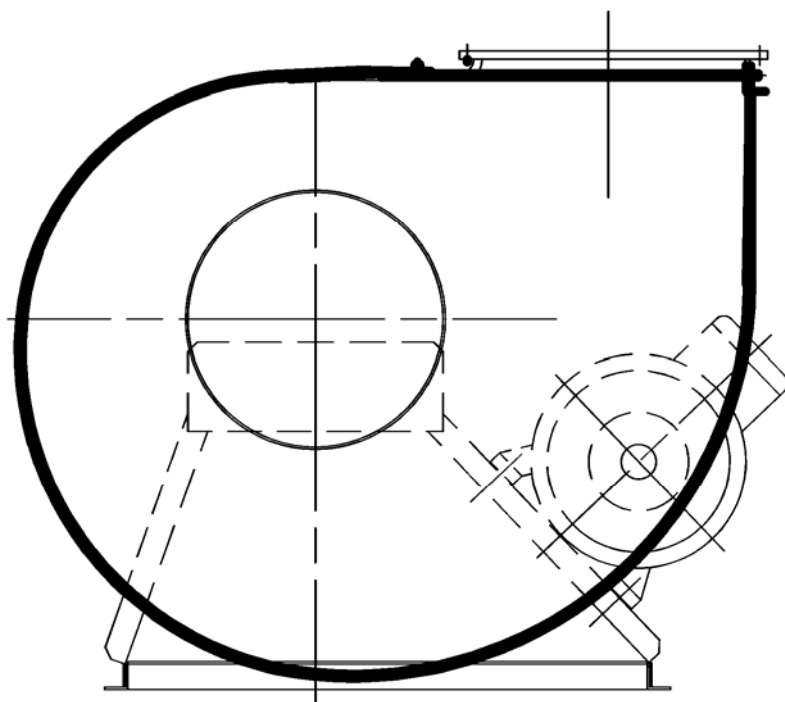
TYP K

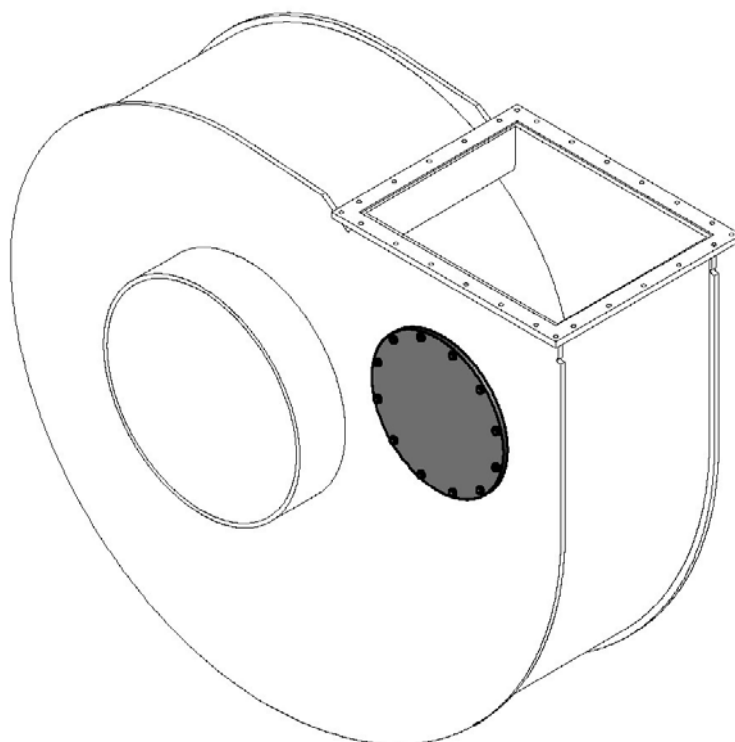


TYP V

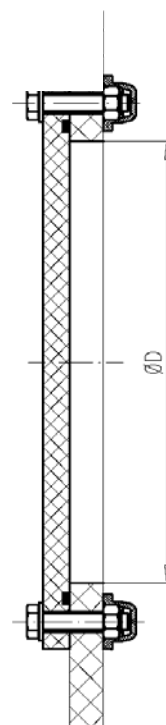


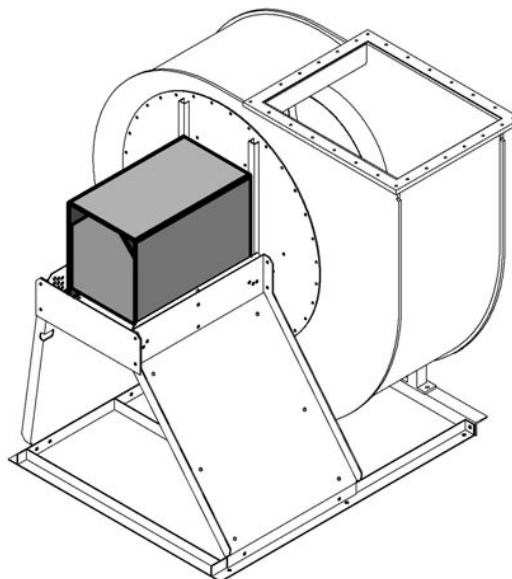
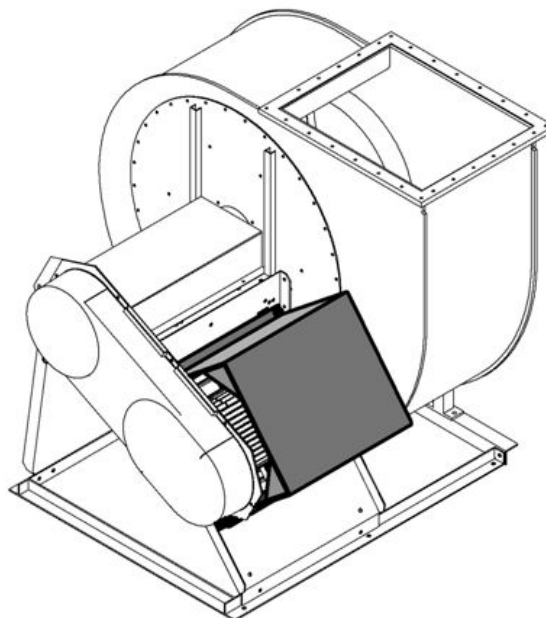
| Fan Type | with cap | with fitting | NG |
|--------------|----------|--------------|----|
| CMV 450-1250 | Typ K | Typ V | 25 |

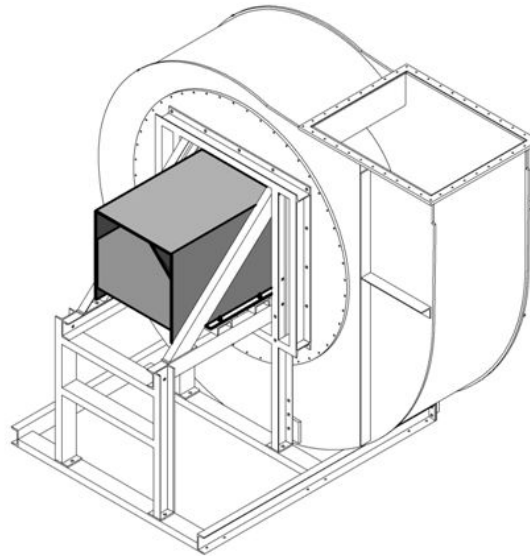
Splinter protection

Inspection hole

| Fan Type | Ø D |
|--------------|-----|
| CMV 450-560 | 200 |
| CMV 630-1250 | 315 |



Motor cover direct drive**Motor cover v-belt drive**

Motor cover direct drive**Motor cover v-belt drive**