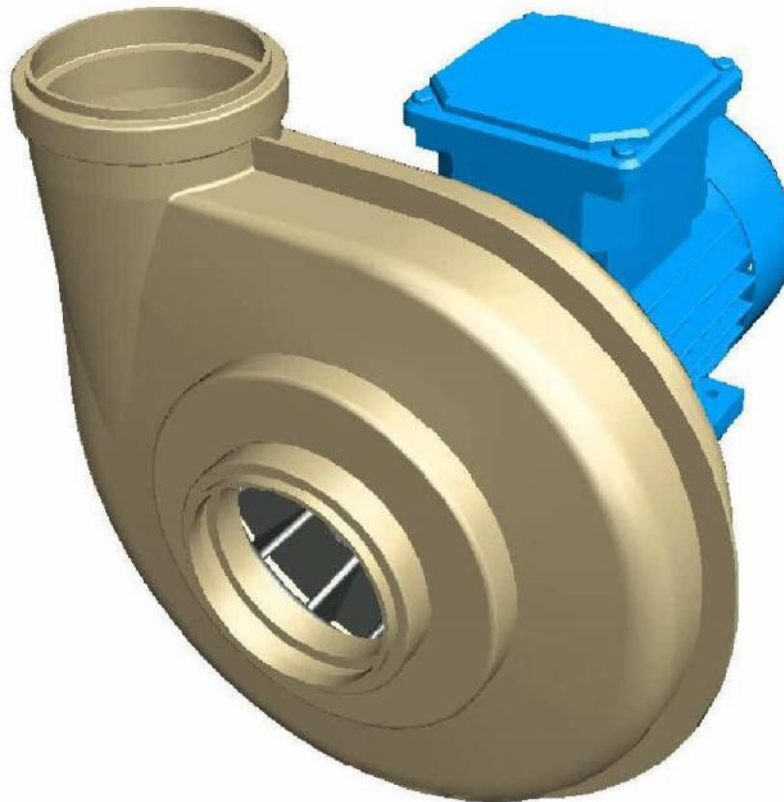


Medeltrycks – Plastfläkt

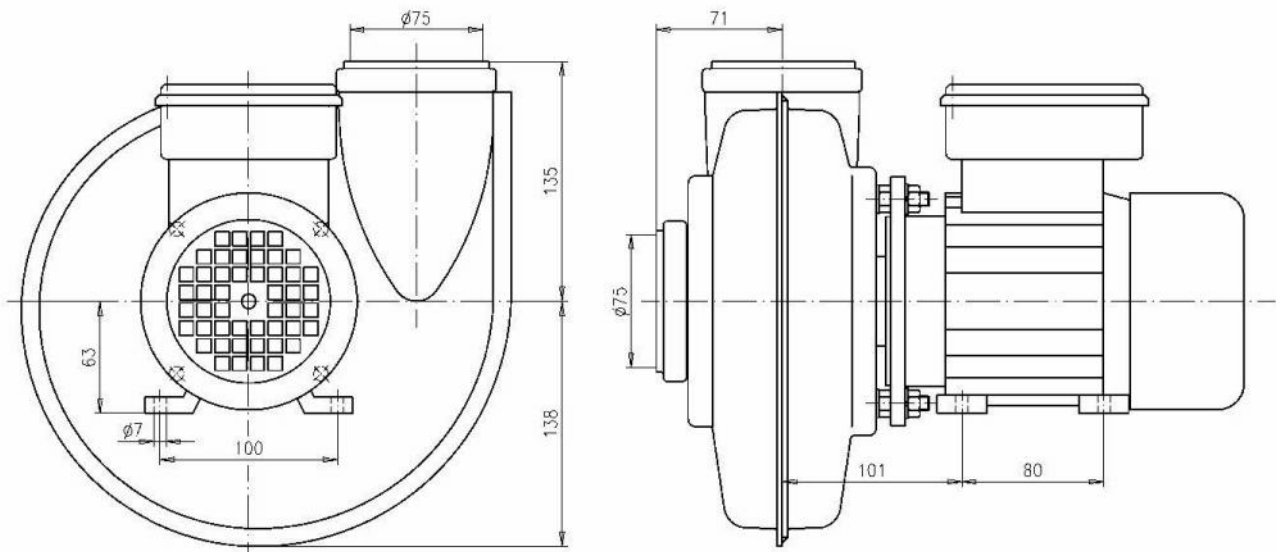
Agent : COLASIT Scandinavia
AB Villabergsvägen 4
535 92 Kvänum
Tel.: +46 (0)51120080
info@colasit.se
www.colasit.be

For use in Ex zones

Not for use in Ex zones

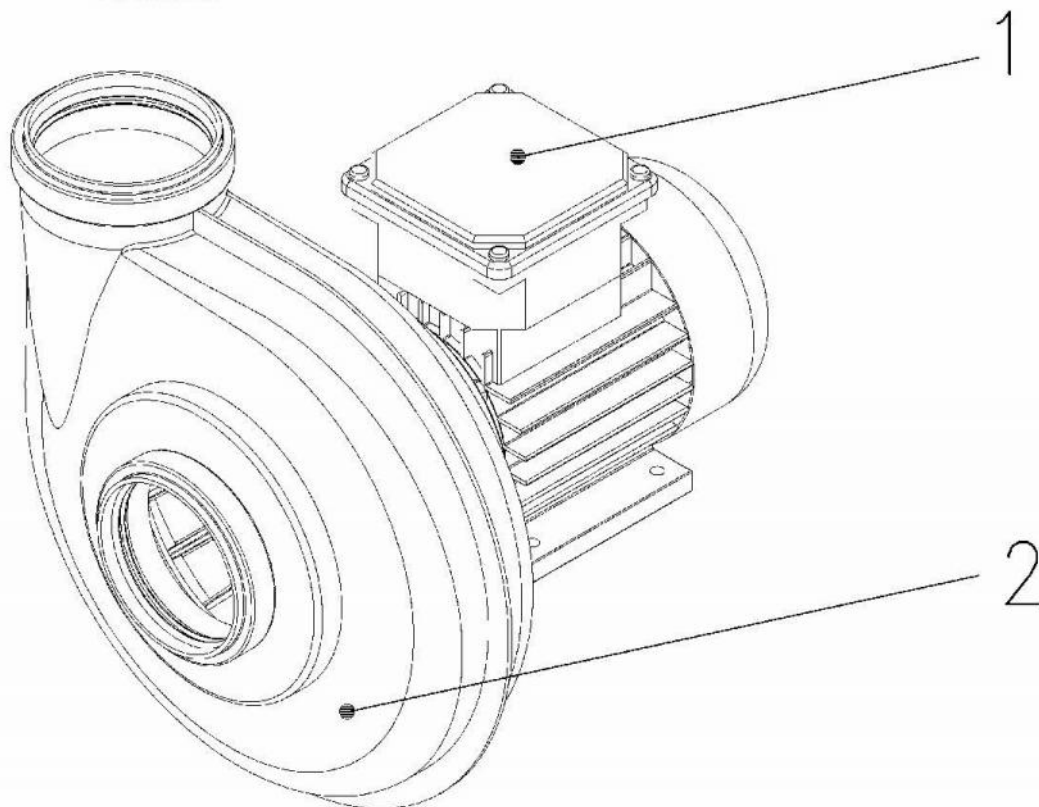
Mått

Måttskiss CCV 75



Reservdelar.

1. Fläkt
2. Motor



CE certifikat

EU Declaration of Conformity

EU-Konformitätserklärung
Déclaration UE de conformité
EU declaration of conformity

Wir
Nous
We


COLASIT AG
Faulenbachweg 63
CH-3700 Spiez

erklären in alleiniger Verantwortung, dass das Produkt
déclarons de notre seule responsabilité que le produit
bearing sole responsibility, hereby declare that the product

Kunststoff-Industrieventilator
Ventilateur industriel en plastique
Plastic industrial fan
CCV 75

auf das sich diese Erklärung bezieht, mit der/den folgenden Norm(en) oder normativen Dokumenten übereinstimmt:

auquel se rapporte la présente déclaration est conforme aux normes ou aux documents normatifs suivants:
referred to by this declaration is in conformity with the following standards or normative documents:

Bestimmungen der Richtlinie Désignation de la directive Provisions of the directive	Titel und/oder Nummer sowie Ausgabedatum der Norm(en): Titre et/ou numéro ainsi que date d'émission de la/des norme(s): Title and/or number and date of issue of the standard(s):												
2006/42/EG: Maschinensicherheit 2006/42/CE: Sûreté des machines 2006/42/EC: Machinery safety	SN EN ISO 12100: 2011 SN EN ISO 13857: 2008 SN EN 60204-1: 2006												
2014/30/EU: Elektromagnetische Verträglichkeit 2014/30/UE: Compatibilité électromagnétique 2014/30/EU: Electromagnetic compatibility	SN EN 61000-6-2: 2005												
Name und Adresse des Dokumentationsverantwortlichen: Nom et adresse de la personne responsable de la documentation: Name and address of the person authorised to compile the relevant technical documentation:	Andreas Roth COLASIT AG Faulenbachweg 63 CH-3700 Spiez												
Bei Verwendung im Ex-Bereich Pour utilisation dans zone Ex For use in Ex zones													
2014/34/EU: Geräte und Schutzsysteme zur bestimmungsgemässen Verwendung in explosionsgefährdeten Bereichen 2014/34/UE: Appareils et système de protection destinés à une utilisation correcte en atmosphère explosibles 2014/34EU: Equipment and protective systems intended for use in potentially explosive atmospheres	SN EN 1127-1: 2012 SN EN 13463-1: 2009 SN EN 13463-5: 2011 SN EN 14986: 2007												
Ex-Kennzeichnung: Marquage Ex: Ex Marking:	 <table style="display: inline-table; vertical-align: middle;"> <tr> <td>II 3/- G</td> <td>c IIC T3</td> <td>T4</td> </tr> <tr> <td>II 3/3 G</td> <td>c IIC T3</td> <td>oder T4</td> </tr> <tr> <td>II 2/3 G</td> <td>c IIC T3</td> <td>ou T4</td> </tr> <tr> <td>II 2/2 G</td> <td>c IIC T3</td> <td>or T4</td> </tr> </table> gem. Typenschild selon la plaque signalétique acc. to the rating plate	II 3/- G	c IIC T3	T4	II 3/3 G	c IIC T3	oder T4	II 2/3 G	c IIC T3	ou T4	II 2/2 G	c IIC T3	or T4
II 3/- G	c IIC T3	T4											
II 3/3 G	c IIC T3	oder T4											
II 2/3 G	c IIC T3	ou T4											
II 2/2 G	c IIC T3	or T4											

Spiez, 20.04.2016



U. Moser (Geschäftsführer/directeur/chief executive officer)



18.2 ATEX-Declaration of Conformity

ATEX-Konformitätsaussage

Equipment, components and protection systems for use for their intended purpose in explosion protected zones – **Directive RL 2014/34/EC (ATEX)**

Document number: **TD-000 783**
Product designation: Medium pressure radial fan CCV 75 ATEX
Manufacturer: COLASIT AG
Postfach 85
3700 Spiez
Product description: Plastic industrial fan for the conveyance of chemically aggressive gases, vapour or correspondingly contaminated air.

The conformity assessment process was conducted in compliance with Directive 2014/34/EU (ATEX). The results are recorded in the confidential **Test Report TD-000 784**. All related documents are kept at the centres named below:





QS Zürich AG, named centre CE 1254
Wehtalerstrasse 3
CH-8057 Zürich

COLASIT hereby certifies compliance with the basic health and safety requirements for the design and manufacture of equipment and protection systems for use for their intended purpose in explosive atmospheres in compliance with Annex II of the Directive.

The following harmonised standards were applied:

EN 1127-1: Explosive atmospheres – Explosion protection, Part 1, 2012
EN 13463-1: Non-electrical equipment for potentially explosive atmospheres, Part 1, 2009
EN 13463-5: Non-electrical equipment for potentially explosive atmospheres, Part 5, 2011
EN 14986: Design of fans working in potentially explosive atmospheres, 2007

The marking on the appliance must comprise the following information:

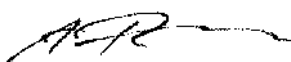
 II 3/- G c IIC T3 or T4 (conveyed medium Zone 2, site of installation no Zone)
 II 3/3 G c IIC T3 or T4 (conveyed medium Zone 2, site of installation Zone 2)
 II 2/3 G c IIC T3 or T4 (conveyed medium Zone 1, site of installation Zone 2)
 II 2/2 G c IIC T3 or T4 (conveyed medium Zone 1, site of installation Zone 1)

The associated operating instructions contain important safety instructions and regulations for putting the named equipment into operation in compliance with Directive 2014/34/EU (ATEX).

Changes to the named equipment are prohibited except with the manufacturer's express approval in writing.

If the named equipment is built into a higher level machine, the new risks ensuing from the integration must be assessed by the manufacturer of the new machine.

Spiez, 20. April 2016



ATEX Officer



On behalf of the executive management

Enclosure

Declaration of Conformity No. TD-000 783

Description of appliance or protective system:

The radial fans CCV 75 ATEX extract room air or process exhaust air. They are directly driven by electric motors.

Special conditions:

If the fans are operated within explosive atmospheres in Zone 1 or 2, they may only be driven by motors for which an appropriate approval (EC type test certificate) has already been issued.

Temperature Class T4: If the site of installation is Zone 1/2, an explosion proof motor with temperature class T4 must be fitted. If an explosion proof motor with temperature class T3 is used, temperature class 3 shall apply to the entire fan.

Ambient temperature: T -20 - 40°C

Maximum temperature of intake medium: 60°C

The minimum flow velocity through the fan must be minimum 5m/s.

All service and repair work must be carried out by trained service personnel.

Additional information:

The radial fans of Equipment Category 3 may only be used to extract gases where the frequency of occurrence of combustible or explosive atmospheres is equivalent to Ex-Zone 2.

Basic safety and health requirements:

Fulfilled by standards.

This certificate may only be copied in full without any changes.