

# Ventilation fittings

## Lamella dampers made of plastic

### Model

**CJK** for light applications

- Max. static pressure 1000 Pa
- Max. temperature 40°C
- Max. flow rate 10 m/s



**CJVK** for demanding applications

- Max. static pressure 3000 Pa
- Max. temperature 60° C
- Max. flow rate 15 m/s



### Dimensions

- Width B 400-1900 mm, height H 400-1900 mm

### Drive

- Manual positioning via lever mechanism or electrical drive using a servomotor

### Material

**CJK** - Frame and lamellas in flame-retardant Polypropylene (PPs, fire-resistance class B1 according to DIN 4102), Lamella axes made of glass-fibre reinforced square tubing

**CJVK** - All parts that come into contact with media made of flame-retardant Polypropylene (PPs, fire-resistance class B1 according to DIN 4102), Lamella axes made of stainless steel covered with plastic tubing.

### Tightness

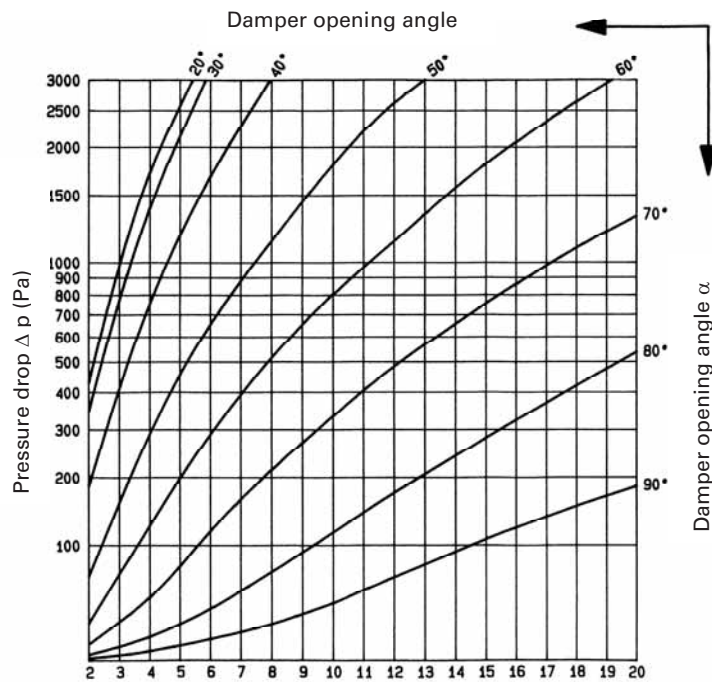
**CJK** - According to DIN 1751, class 0

**CJVK** - According to DIN ISO 1751, class 2

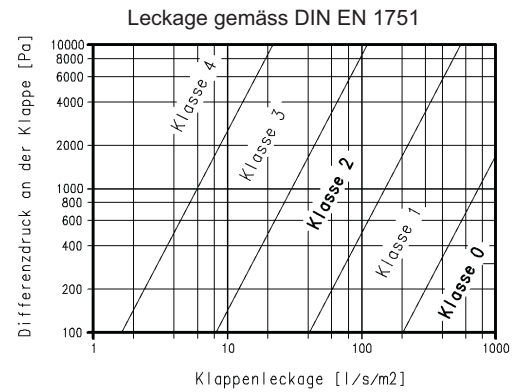
### Connection

The damper must be mounted in the ducting system free of tension. The damper can be easily be mounted in ducting using the flanges provided on all sides

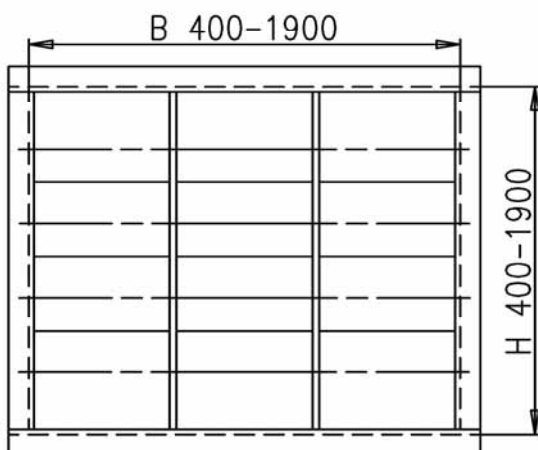
## Pressure drop as a function of damper position



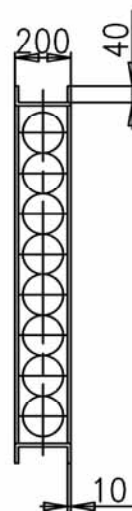
$\alpha=0^\circ$  → Damper closed  
 $\alpha=90^\circ$  → Damper fully open



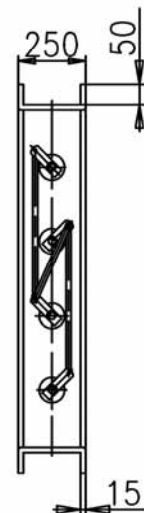
### Dimensions



### CJK



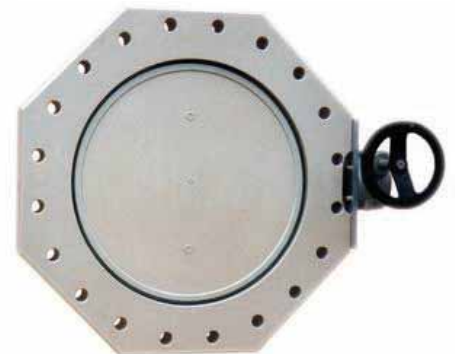
### CJVK



## Gas-tight shutoff-flaps made of plastic

Dimensions	The CGAK range of shutoff-flap products are available in standard sizes from DN 100 to DN 1000.
Constructional features	The flaps are manufactured to shut gas-tight to DIN 3230 standards. Housing and flap are available in PP, PE and PVC as well as in PVDF. The shaft seal is made of EPDM, FEP or FPM
Operating-conditions	Pressure range Standard: up to 5'000 Pa High pressure: up to 15'000 Pa Temperature -20°C to 90°C depending on material
Drive	The flap can be operated manually, electrically or pneumatically at choice
Connecting into ducting	The flap can be mounted in ducting as follows: - welded directly in die ducting - using standard flanges Make sure that the flap's axis is always kept horizontal
Corrosion-resistance	All components that come into contact with the gas-stream are made of plastic

Shutoff flap with lever



Shutoff flap with worm-gearing, manually operated



Shutoff flap with electrical actuator



Shutoff flap with pneumatic actuator

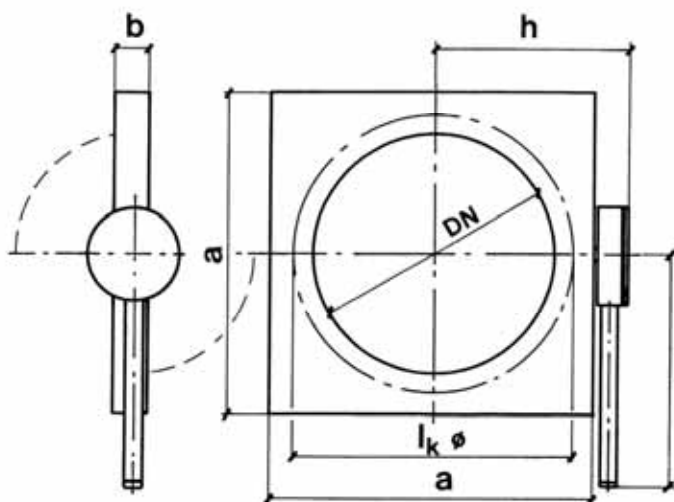
# Ventilation fittings

## Technical data

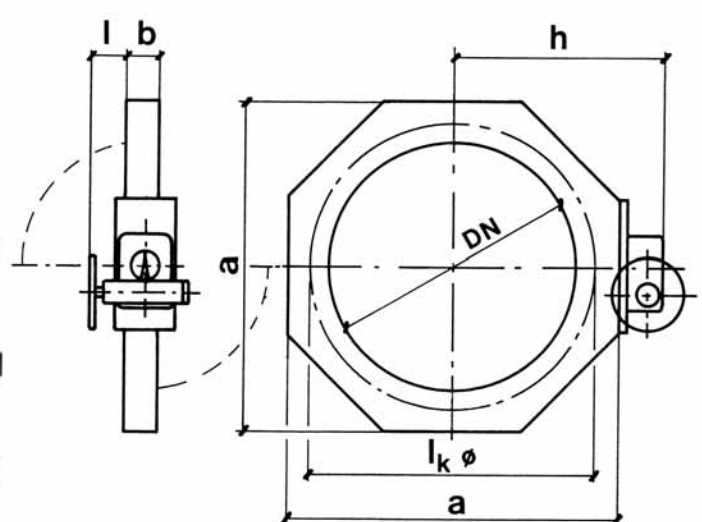
DN	Tube Ø	a	b	h	l	Wight Kg	Fixing holes $l_k \text{ } \varnothing$
100	110	185	40	124	150	1,6	According to customer's specification
100	125	200	40	131	150	1,7	
125	140	215	40	139	170	1,8	
150	160	235	40	149	190	2,1	
175	180	255	40	169	230	2,4	
200	200	275	40	179	230	2,9	
225	225	300	50	191	280	3,5	
250	250	330	50	206	280	4,4	
275	280	360	50	221	280	5,7	
300	315	400	50	241	340	6,9	
350	355	455	60	269	340	9,8	
400	400	495	60	299	390	12,2	
450	450	550	80	327	425	24,5	
500	500	640	80	382	475	38,1	
600	630	800	80	489	280	55,4	
700	710	890	80	534	280	71,4	
800	800	990	100	622	107	98,4	
900	900	1100	120	722	157	149,6	
1000	1000	1200	120	772	157	164,6	

## Dimensional drawing

Nominal size DN 100 - 500  
Drive: Manual with lever



Nominal size DN 600 - 1000  
Drive: Manual with gearing

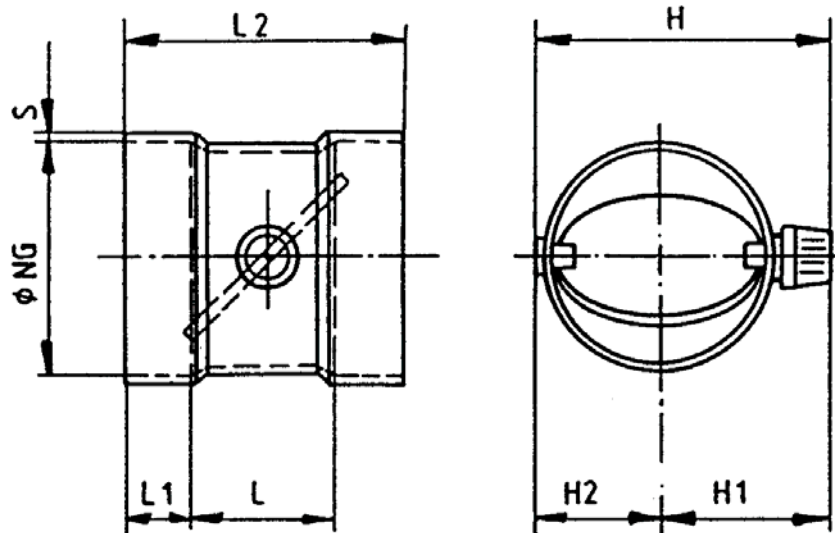


# Ventilation fittings

## Round throttle valve

Dimensional Drawing No. 1.026

Material PVC / PP / PPs / PE



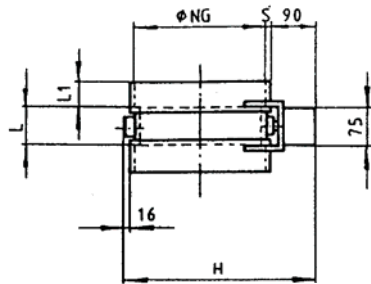
Ø NG	L 1	L 2	L	H 1	H 2	H	PVC S	PP S	PPs S	PE S
75	34	130	62	75	53	128	3	3	3	2
90	34	130	62	83	60	143	3	3	3	2.2
110	40	155	75	113	74	187	3	3	3	3
125	40	155	75	121	81	202	3	3	3	3
140	40	155	75	128	89	217	3	3	3	3
160	40	155	75	138	99	237	3	3	3	3
180	40	155	75	148	109	257	3	3	3	3
200	50	170	70	158	119	277	3	3	3	3
225	50	170	70	171	131	302	3	3	3	3
250	50	175	75	183	144	327	3	3	3	3
280	50	175	75	198	159	357	3	3	3	3
315	50	175	75	216	176	392	3	3	3	3
355	40	455	375	275*	198	472*	2.9	6	5	8.7
400	40	500	420	297*	220	517*	3.2	6	6	9.8
450	40	550	470	322*	245	567*	3.6	6.9	7	11
500	40	600	520	347*	270	617*	4	10	8	12.2
560	40	660	580	377*	300	677*	5	10	5	13.7
630	50	750	650	412*	335	747*	7.9	5	10	6
710	50	840	740	452*	375	827*	5.6	5	5	6
800	50	930	830	497*	420	917*	6.3	6	6	8

# Ventilation fittings

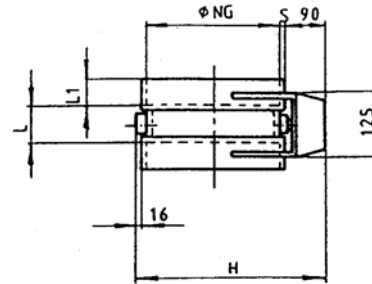
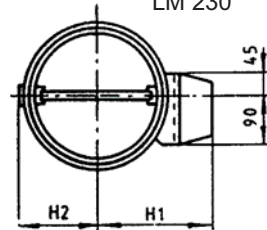
## Round throttle valve with console for electrical servo-motor

Dimensional Drawing No. 1.027

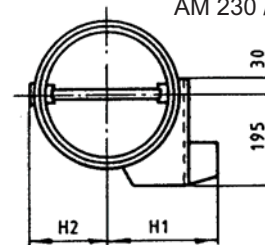
Material PVC / PP / PPs / PE



LM 230



AM 230 / GM 230



For "Belimo" LM

Ø NG	L 1	L 2	L	H 1	H 2	H	PVC S	PP S	PPs S	PE S
110	40	155	75	175	74	250	3	3	3	3
125	40	155	75	182	81	265	3	3	3	3
140	40	155	75	190	89	280	3	3	3	3
160	40	155	75	200	99	300	3	3	3	3
180	40	155	75	210	109	320	3	3	3	3
200	50	170	70	220	119	340	3	3	3	3
225	50	170	70	233	131	365	3	3	3	3
250	50	175	75	245	144	390	3	3	3	3
280	50	175	75	260	159	420	3	3	3	3
315	50	175	75	278	176	455	3	3	3	3

For "Belimo" AM / GM

355	40	455	375	298	198	495	2.9	6	5	8.7
400	40	500	420	320	220	540	3.2	6	6	9.8
450	40	550	470	345	245	590	3.6	6.9	7	11
500	40	600	520	370	270	640	4	10	8	12.2
560	40	660	580	400	300	700	5	10	5	13.7
630	50	750	650	435	335	770	7.9	5	10	6
710	50	840	740	475	375	850	5.6	5	5	6
800	50	930	830	520	420	940	6.3	6	6	8

# Ventilation fittings

## Tabular silencer in plastic

Model: CRSD  
Material: PPs / PVC / PE

- Construction:
- Inner sheath made of perforated sheeting
  - Absorption material: non-inflammable, abrasion-resistant mineral wool
  - Connection: direct in ducting, standard flange or sleeve coupler
  - Insulation thickness 50 or 100mm

Model	Size	
	NG	ØA
CRSD 90/50	90	234
CRSD 90/100	90	324
CRSD 110/50	110	234
CRSD 110/100	110	355
CRSD 125/50	125	258
CRSD 125/100	125	363
CRSD 140/50	140	258
CRSD 140/100	140	363
CRSD 160/50	160	288
CRSD 160/100	160	363
CRSD 180/50	180	323
CRSD 180/100	180	408
CRSD 200/50	200	323
CRSD 200/100	200	458
CRSD 225/50	225	363
CRSD 225/100	225	458
CRSD 250/50	250	363
CRSD 250/100	250	508
CRSD 280/50	280	408
CRSD 280/100	280	508
CRSD 315/50	315	458
CRSD 315/100	315	568
CRSD 355/50	355	508
CRSD 355/100	355	568
CRSD 400/50	400	508
CRSD 400/100	400	638
CRSD 450/50	450	585
CRSD 450/100	450	685
CRSD 500/50	500	635
CRSD 500/100	500	735
CRSD 560/50	560	695
CRSD 560/100	560	795
CRSD 630/50	630	765
CRSD 630/100	630	865
CRSD 710/50	710	845
CRSD 710/100	710	945

Other dimensions on request

### Installation variants:

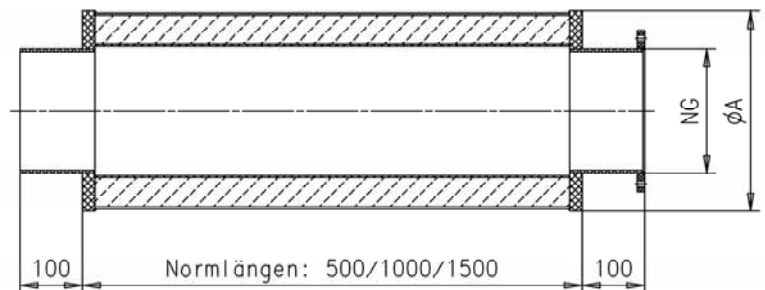
*directly in ducting*



using COLASIT standard flange



*using sleeve*

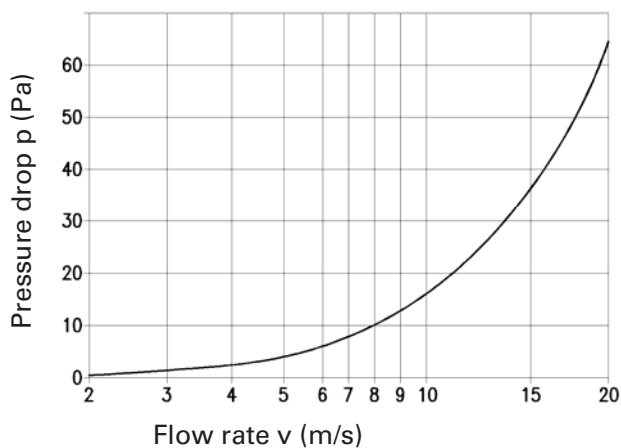


# Ventilation fittings

## Attenuation values

Model	Attenuation in dB at:						
	125 Hz	250 Hz	500 Hz	1000 Hz	2000 Hz	4000 Hz	8000 Hz
CRSD 90/50	7	10	12	15	10	12	11
CRSD 90/100	12	19	17	17	11	12	11
CRSD 110/50	6	9	12	16	11	13	12
CRSD 110/100	12	18	17	18	12	13	12
CRSD 125/50	6	9	13	17	12	14	13
CRSD 125/100	11	18	18	19	13	14	13
CRSD 140/50	5	8	13	18	13	15	14
CRSD 140/100	11	17	19	19	14	15	15
CRSD 160/50	5	7	13	19	14	16	16
CRSD 160/100	10	16	19	20	14	17	16
CRSD 180/50	4	6	14	20	15	18	18
CRSD 180/100	9	15	20	21	15	18	18
CRSD 200/50	4	6	14	21	16	20	20
CRSD 200/100	9	14	21	22	16	20	20
CRSD 225/50	3	4	14	22	17	22	22
CRSD 225/100	8	12	22	23	17	22	22
CRSD 250/50	3	4	13	23	17	21	21
CRSD 250/100	8	12	21	23	17	21	21
CRSD 280/50	3	4	12	23	17	20	20
CRSD 280/100	7	12	21	23	17	20	20
CRSD 315/50	3	4	12	23	17	18	19
CRSD 315/100	7	12	20	22	17	18	19
CRSD 355/50	2	4	11	23	17	16	17
CRSD 355/100	6	12	20	22	17	17	17
CRSD 400/50	2	4	10	23	17	15	15
CRSD 400/100	6	12	19	21	17	15	16
CRSD 450/50	2	3	10	22	16	13	14
CRSD 450/100	5	11	19	21	16	13	14
CRSD 500/50	2	3	18	22	16	12	13
CRSD 500/100	5	11	19	20	16	12	13
CRSD 560/50	1	3	18	22	16	11	12
CRSD 560/100	4	11	19	20	16	11	12
CRSD 630/50	1	3	17	22	16	10	11
CRSD 630/100	4	11	18	19	16	10	11
CRSD 710/50	1	3	17	21	16	9	10
CRSD 710/100	3	11	18	19	16	9	10

Values measured for a silencer length of 1000 mm



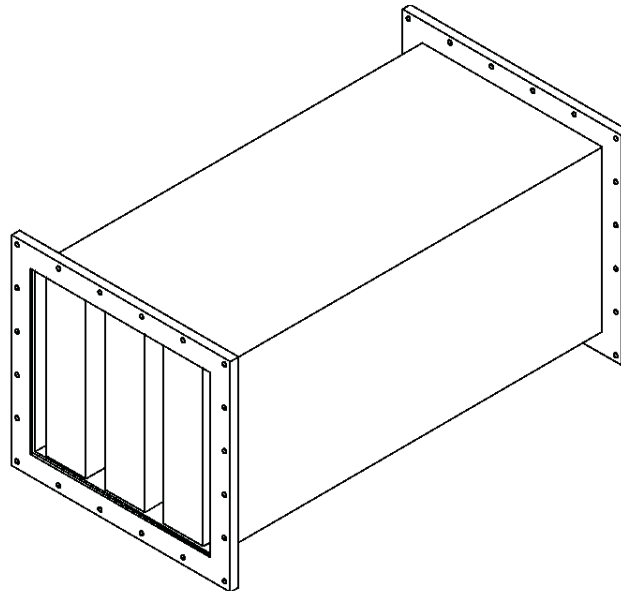


## Splitter-attenuator in plastic

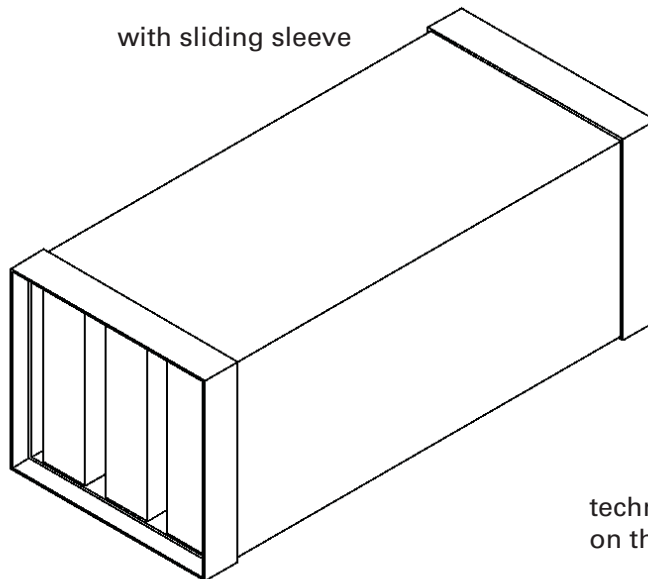
Model: CKSD  
Material: PVC / PP / PPs / PE

Construction: Outer cover corresponding to ventilation duct  
Splitters made of profiles and perforated sheeting  
Absorption material: non-inflammable mineral wool  
Connection using plug-in couplers or standard flanges  
Size of coulisse 100 or 200 mm  
Standard length 1000, 1250, 1500 und 2000mm

**mounting version:** COLASIT standard flange



with sliding sleeve



technical data  
on the back side

# Ventilation fittings

Insertion loss in dB

Bases:

- flow rate 10m/s

- pressure approx. 50Pa

coulisse 100mm

**coulisse 100mm, length 1000mm**

gap	63	125	250	500	1000	2000	4000	8000
40	5	13	20	22	31	37	32	26
50	5	12	18	21	29	34	29	23
60	5	11	17	19	28	32	26	21
70	4	10	14	17	25	28	22	17
80	4	9	12	16	24	26	19	14
90	4	9	11	14	22	23	17	12
100	3	8	9	13	21	22	15	11

**coulisse 100mm, length 1250mm**

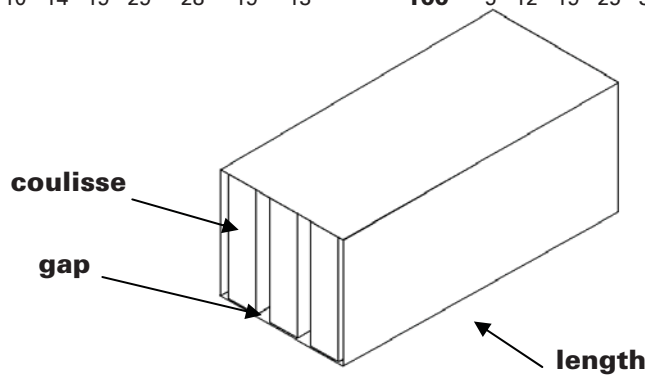
gap	63	125	250	500	1000	2000	4000	8000
40	6	14	25	27	36	42	36	30
50	5	13	22	25	34	39	32	26
60	5	12	21	24	33	37	30	24
70	5	11	17	21	30	32	25	20
80	4	10	15	19	28	29	22	17
90	4	10	14	18	26	27	19	14
100	4	9	12	16	25	25	17	12

**coulisse 100mm, length 1500mm**

gap	63	125	250	500	1000	2000	4000	8000
40	6	15	30	32	42	47	40	34
50	6	14	27	30	39	44	36	30
60	6	14	25	28	37	41	33	27
70	5	12	21	25	34	36	28	22
80	5	11	18	22	32	33	24	19
90	5	11	16	21	30	30	21	16
100	4	10	14	19	29	28	19	13

**coulisse 100mm, length 2000mm**

gap	63	125	250	500	1000	2000	4000	8000
40	7	18	39	42	50	50	48	42
50	7	17	35	39	49	50	43	37
60	7	16	32	36	47	50	40	33
70	6	15	28	37	43	44	34	27
80	6	14	24	29	41	40	29	23
90	5	13	21	27	39	37	26	19
100	5	12	19	25	37	34	23	16



coulisse 200mm

**coulisse 200mm, length 1000mm**

gap	63	125	250	500	1000	2000	4000	8000
50	6	16	32	39	41	39	26	19
60	5	14	29	34	36	32	22	17
80	4	11	25	27	30	24	16	13
100	4	10	22	23	26	19	13	11
120	3	9	19	20	22	16	11	9
140	3	8	17	17	18	14	10	8
160	2	8	15	15	16	12	9	7
180	2	7	14	14	14	11	8	7
200	2	7	13	12	12	10	8	6

**coulisse 200mm, length 1250mm**

gap	63	125	250	500	1000	2000	4000	8000
50	7	19	38	46	49	46	30	22
60	6	17	34	40	43	38	25	19
80	5	14	30	33	36	28	18	15
100	4	12	27	28	31	22	14	12
120	4	11	23	24	25	18	12	10
140	3	10	21	21	21	16	11	9
160	3	9	19	18	18	14	10	9
180	3	9	17	17	16	12	9	7
200	2	8	16	15	14	11	9	7

**coulisse 200mm, length 1500mm**

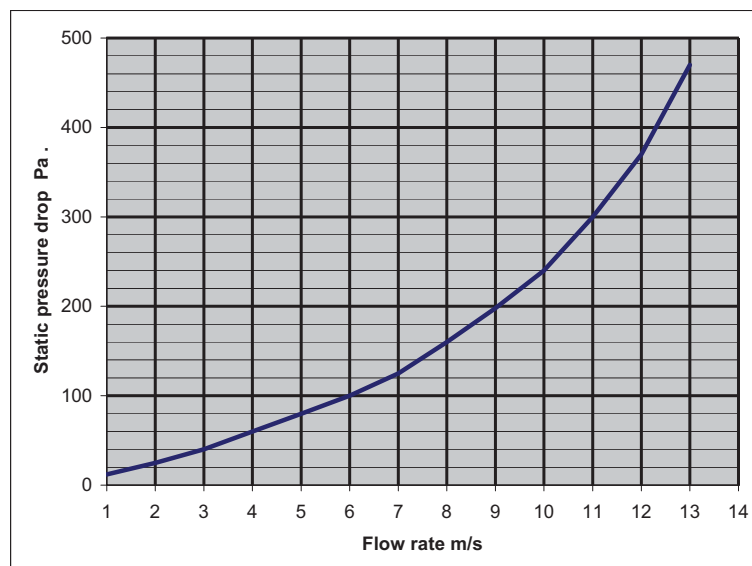
gap	63	125	250	500	1000	2000	4000	8000
50	9	22	43	50	50	50	34	24
60	7	20	40	46	50	44	28	21
80	6	16	35	38	41	32	20	16
100	5	15	32	33	36	25	16	14
120	4	13	27	28	29	21	14	12
140	4	12	24	24	24	18	12	10
160	3	11	22	22	21	16	11	9
180	3	10	20	19	18	14	10	8
200	3	9	19	18	15	12	10	7

**coulisse 200mm, length 2000mm**

gap	63	125	250	500	1000	2000	4000	8000
50	12	29	50	50	50	50	42	29
60	10	26	50	50	50	50	34	25
80	8	22	45	49	50	40	24	20
100	6	19	42	43	47	31	18	16
120	6	17	36	37	37	26	16	14
140	5	15	32	32	31	22	15	12
160	4	14	29	28	25	19	13	11
180	4	13	27	25	21	17	12	9
200	4	12	25	23	18	15	12	9

## Weather protection grilles made of plastic

Dimensions	The CWS weather grille is available in all sizes.
Constructional features	Sturdy construction using prefabricated profiles with airflow-friendly lamella configuration and integrated wire meshing.
Material & quality	Flame-resistant PVC, RAL 7011 grey. High level of resistance to chemical and climatic influences.
Mounting	Thanks to its frame profile, the grille can be mounted without additional effort on ducting or directly onto facades.



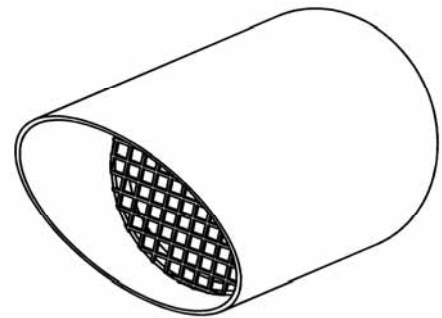
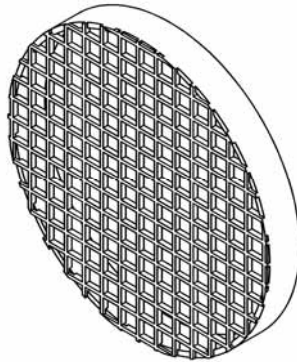
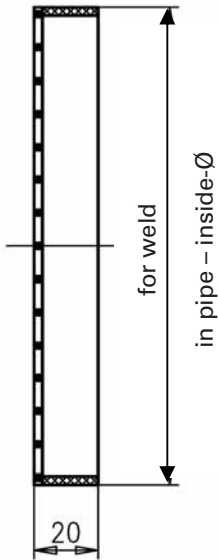
# Ventilation fittings

## Grille round

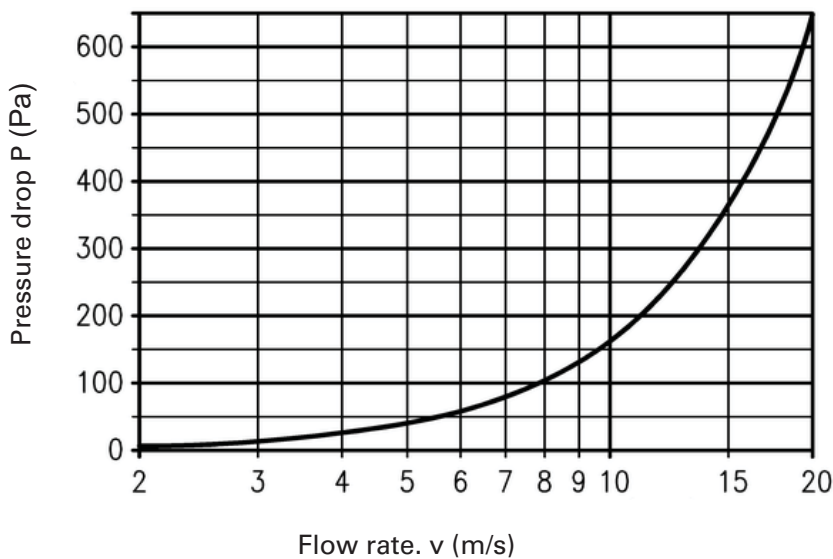
Diameter for pipe NG 110, 125, 140, 160, 180, 200, 225, 250, 280, 315, 355, 400  
 Material PVC / PP / PPs / PE

Grille round

Grille round welded into tube 45°



Perforation	10 mm (IP20)
Partition	12 mm
Free cross-section	69.4 %

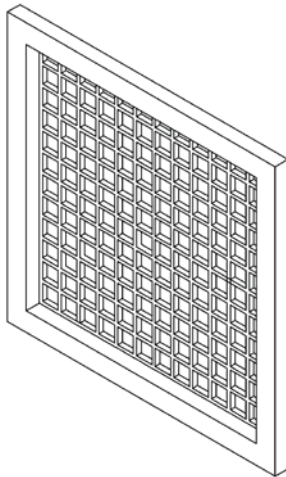


# Ventilation fittings

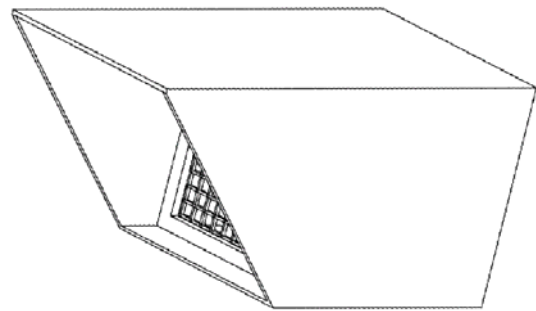
## Grille rectangular

Dimensional 110/110 to 1000/1000  
Material PVC / PP / PPs / PE

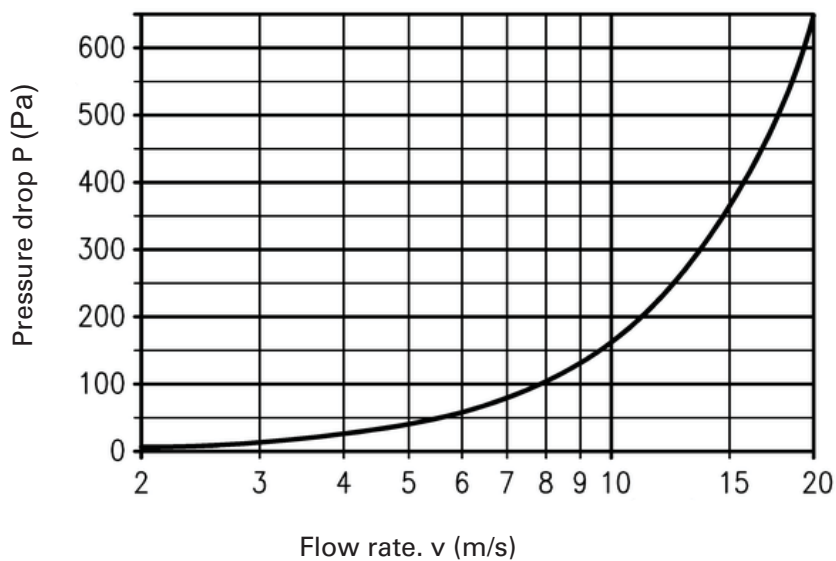
Grille rectangular



Grille rectangular welded in tube 45°



Perforation 10 mm (IP20)  
Partition 12 mm  
Free cross-section 69.4 %

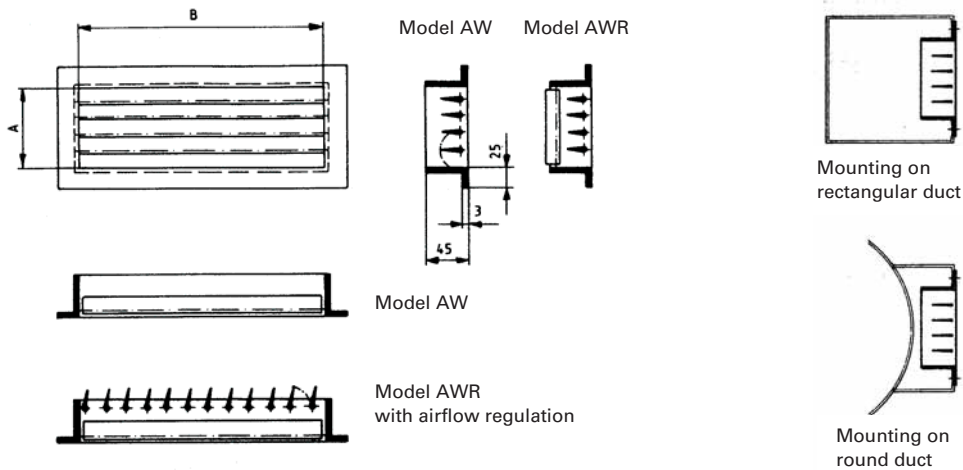


# Ventilation fittings

## Ventilation grille

### Dimensional Drawing No. 1.050

Material PVC



#### Model AW

Dimension A	Dimension B	Free aperture m <sup>2</sup>
100	300	0.0228
100	400	0.0308
100	600	0.0461
100	800	0.0617
200	300	0.0438
200	400	0.0592
200	600	0.0884

#### Model AWR

Dimension A	Dimension B	Free aperture m <sup>2</sup>
100	300	0.0196
100	400	0.0266
100	600	0.0397
100	800	0.0532
200	300	0.0376
200	400	0.0511
200	600	0.0762

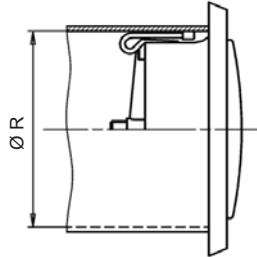
# Ventilation fittings

## Exhaust valves CA 75 - 200

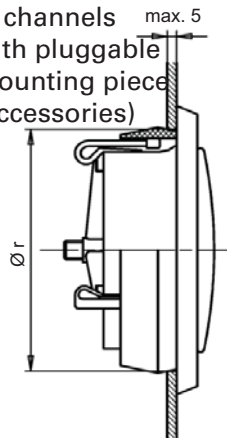


### Mounting examples:

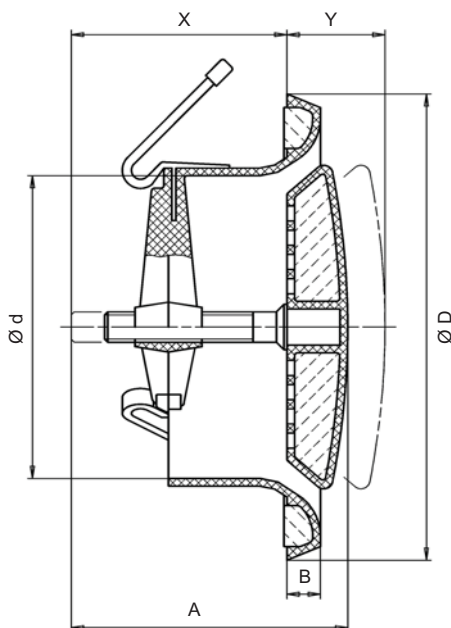
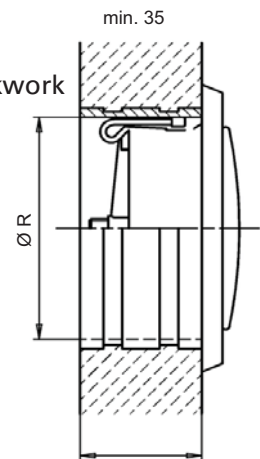
Direct in tube



In channels with pluggable mounting piece (accessories)



In brickwork



Type	CA 75	CA 100	CA 125	CA 150	CA 200
Ø R	75-90	95-115	120-140	145-160	195-210
Ø r	85	110	130	155	205
Ø D	110	135	155	180	230
Ø d	60	80	100	120	160
A	80	80	80	85	90
B	10	10	10	10	10
X	75	72	68	84	87
Y	28	30	30	30	34

## 7 decisive advantages for Colasit-exhaust valves

- First-class sound damper
- Fluidic optimized design
- Simple, continuously variable air volume adjustment
- In shock-resisting plastic material
- Quick and easy mounting
- Large selection
- Colours: white, brown, grey

